

Experts for your systems

## Ex – Polyester Enclosures



- Quality • Reliability • Delivery reliability
- Our knowledge for your application



### **Proviso**

We reserve the right to make technical changes. Changes, errors, and literal errors do not justify any claim for damage compensation. For security components and systems, the relevant standards, as well as the relevant operating and assembly instructions have to be followed.

# Ex Polyester terminal boxes




Assembly overview

General data

Type		Cable glands				Terminals (mm <sup>2</sup> )						
		M16	M20	M25	M32	Mini 2,5	1,5	2,5	4	6	10	
QX-P1	80x75x55	Side A+B	2	1			1 x 5					
		Side C+D	1	0								
QX-P2	110x75x55	Side A+B	3	2			1 x 8					
		Side C+D	1	0								
QX-P3	160x75x55	Side A+B	4	4			1 x 12					
		Side C+D	1	0								
QX-P4	190x75x55	Side A+B	6	4			1 x 12					
		Side C+D	1	0								
QX-P5	122x120x90	Side A+B	6	2	2	1		1 x 16	1 x 14	1 x 12	1 x 9	1 x 6
		Side C+D	2	1	1	1						
QX-P6	220x120x90	Side A+B	12	5	4	3		1 x 41	1 x 34	1 x 29	1 x 21	1 x 16
		Side C+D	2	1	1	1						
QX-P7	160x160x90	Side A+B	8	3	3	2		1 x 23	1 x 20	1 x 17	1 x 12	1 x 9
		Side C+D	6	2	2	1						
QX-P8	260x160x90	Side A+B	14	6	5	4		1 x 48	1 x 40	1 x 34	1 x 25	1 x 19
		Side C+D	6	2	2	1						
QX-P9	360x160x90	Side A+B	22	9	8	6		1 x 73	1 x 60	1 x 51	1 x 37	1 x 29
		Side C+D	6	2	2	1						
QX-P10	200x250x120	Side A+B	15	8	8	3		2 x 36	2 x 32	2 x 26	2 x 18	2 x 14
		Side C+D	12	10	8	3						
QX-P11	255x250x120	Side A+B	21	12	10	4		2 x 47	2 x 39	2 x 33	2 x 24	2 x 18
		Side C+D	12	10	8	3						
QX-P11H	255x250x160	Side A+B	21	12	10	4		2 x 47	2 x 39	2 x 33	2 x 24	2 x 18
		Side C+D	12	10	8	3						
QX-P12	400x250x120	Side A+B	36	20	18	7		2 x 83	2 x 68	2 x 57	2 x 42	2 x 33
		Side C+D	12	10	8	3						
QX-P12H	400x250x160	Side A+B	36	20	18	7		2 x 83	2 x 68	2 x 57	2 x 42	2 x 33
		Side C+D	12	10	8	3						
QX-P13	400x405x120	Side A+B	36	20	18	7		3 x 83	3 x 68	3 x 57	3 x 42	3 x 33
		Side C+D	12	10	8	3						
QX-P13H	400x405x200	Side A+B	72	40	36	21		3 x 83	3 x 68	3 x 57	3 x 42	3 x 33
		Side C+D	55	36	32	18						
QX-P15	600x250x120	Side A+B	57	30	26	10		2x112	2x108	2 x 90	2 x 62	2 x 45
		Side C+D	12	10	8	3						
QX-P15H	600x250x160	Side A+B	57	30	26	10		2x112	2x108	2 x 90	2 x 62	2 x 45
		Side C+D	12	10	8	3						

Combinations and other sizes after technical clarification

Data of standard polyamide cable glands					
Type	Wrench size	Range (mm)	Type	Wrench size	Range (mm)
<b>M12</b>	15	4 – 6,5	<b>M32</b>	36	16 – 21
<b>M16</b>	19	5 – 8	<b>M40</b>	46	20 – 28
<b>M20</b>	25	7 – 13	<b>M50</b>	60	31 – 38
<b>M25</b>	29	12 – 17	<b>M63</b>	65	35 – 44

Specification for Ex area			
Marking according to 2014/34/EU		 II 2 GD	
Type of protection		II 2G Ex eb IIC und II 2D Ex tb IIIC	
Ambient temperature °C Silicone gasket		Gas temperature class T*°C	Dust temperature °C
MIN	MAX		
-60	+50	T6	85
-60	+55	T5	100
-60	+60	T4	120
Max. temperature range		-60..+100°C	
Ingress protection		IP 66 QX-P1: IP 56	
Ex-Zone		1, 2, 21, 22	
Applicable at risk of mechanical exposure (Impact resistance)		high (7 Joule) QX-P1 for dust: 4 Joule	
Gas groups		IIA; IIB; IIC	
Certificates		ATEX, IECEx, EAC TC-RU, NEMA 4X	

Enclosure specification	
Enclosure material	Carbon black doped glass-fibre reinforced polyester according to UL/V0
Surface	Die casting, standard colour black. Other colours optional
Lid fixing	Full removable lid with captive M6 stainless steel screws
Gasket	One piece of silicone
Earthing	By PE terminals. Optional: internal/external earth bolt brass M6 Optional: internal earthing plate
Bushing	Direct tapped threaded holes
Mounting	6,5mm holes within enclosure body

Options	
Internal / external earth stud M6	ES6
Internal earthing plate brass	EP-xx xx = 1-15(H) (Size of enclosure)
Hinges for lid	HI
Colour	RAL__
Mounting plate, zinc plated	MP-Pxx xx = 1-15(H) (Size of enclosure)



- High chemical resistance
- International certificates available
- Self-assembly with terminals
- No static charge
- Robust construction
- UV-Resistant

## Description

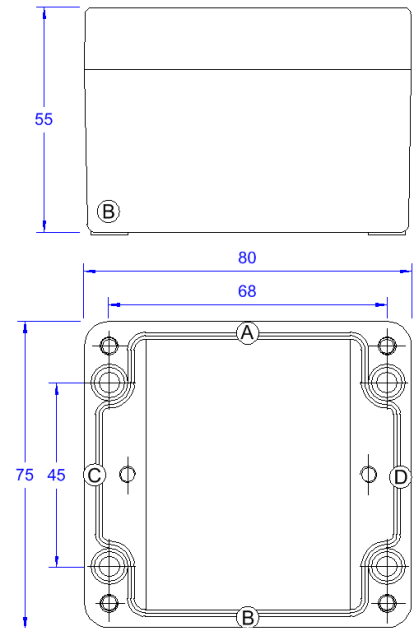
GRP (glass-fibre reinforced polyester) enclosures have proven themselves even in the harshest of environments.

These robust and UV-resistant enclosures can withstand harmful aggressive chemical and mechanical abuse.

The lid with integrated silicon gasket and high corrosion resistive stainless steel captive screws allows easy handling and reliability with a perfect weather seal.

Stainless steel screw inserts are attached to the inside rear surface for ease of securing a terminal rail or mounting plate.

No static charges occur due to the doped conductive carbon black low surface resistance construction.



## Possible Application

- Ex e / Ex i junction boxes

## Technical Data

Material:	Black GRP
Dimension (mm):	80 x 75 x 55
Fixing centres (mm):	68 x 45 / 4x4,5Ø
Power dissipation:	4,0 Watt @ +40°C 1,6 Watt @ +50°C
for dust Ex:	2,0 Watt @ +40°C 0,8 Watt @ +50°C
Ingress protection:	IP 56
Impact resistance:	7 Joule / dust 4 Joule
Min. ambient temp.:	-60°C
Temperature class:	T6 @ +50°C T5 @ +55°C T4 @ +60°C
Weight:	0,23 kg

## Certificates

ATEX, IECEx, EAC TC-RU, NEMA 4X

## Marking

Empty enclosures:

⊕ Ex II 2G Ex eb IIC / ⊕ Ex II 2D Ex tb IIIC

Terminal Boxes:

⊕ Ex II 2G Ex eb ia IIC/IIB/IIA T6/T5/T4

⊕ Ex II 2D Ex tb IIIC T85°C/T100°C/T120°C

## Quantity of glands

Gland	M16	M20	M25
Side A / B	2	1	0
Side C / D	1	0	0

## Terminals

mm <sup>2</sup>	Mini 2,5		
horizontal rail	1x5		



- High chemical resistance
- International certificates available
- Self-assembly with terminals
- No static charge
- Robust construction
- UV-Resistant

## Description

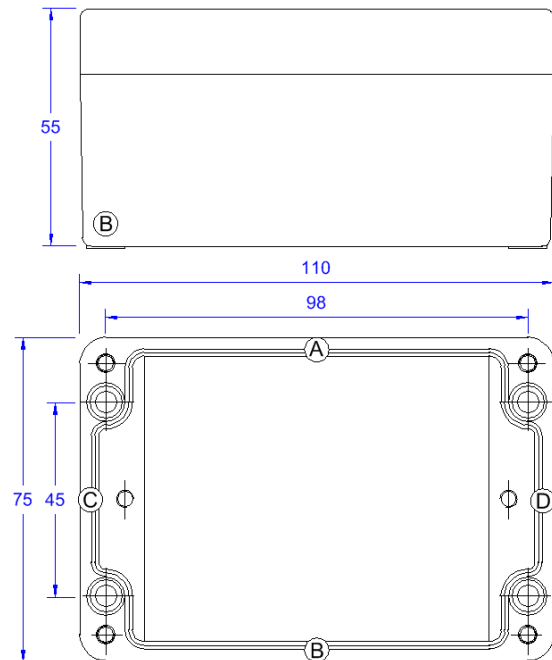
GRP (glass-fibre reinforced polyester) enclosures have proven themselves even in the harshest of environments.

These robust and UV-resistant enclosures can withstand harmful aggressive chemical and mechanical abuse.

The lid with integrated silicon gasket and high corrosion resistive stainless steel captive screws allows easy handling and reliability with a perfect weather seal.

Stainless steel screw inserts are attached to the inside rear surface for ease of securing a terminal rail or mounting plate.

No static charges occur due to the doped conductive carbon black low surface resistance construction.



## Possible Application:

- Ex e / Ex i junction boxes

## Technical Data

Material:	Black GRP
Dimension (mm):	110 x 75 x 55
Fixing centres (mm):	98 x 45 / 4x4,5Ø
Power dissipation:	5,5 Watt @ +40°C 2,0 Watt @ +50°C
for dust Ex:	2,75 Watt @ +40°C 1,0 Watt @ +50°C
Ingress protection:	IP 66
Impact resistance:	7 Joule
Min. ambient temp.:	-60°C
Temperature class:	T6 @ +50°C T5 @ +55°C T4 @ +60°C
Weight:	0,32 kg

## Certificates

ATEX, IECEX, EAC TC-RU, NEMA 4X

## Marking

Empty enclosures:

⊕ Ex II 2G Ex eb IIC / ⊕ Ex II 2D Ex tb IIIC

Terminal Boxes:

⊕ Ex II 2G Ex eb ia IIC/IIB/IIA T6/T5/T4

⊕ Ex II 2D Ex tb IIIC T85°C/T100°C/T120°C

## Quantity of glands

Gland	M16	M20	M25
Side A / B	3	2	0
Side C / D	1	0	0

## Terminals

mm <sup>2</sup>	Mini 2,5		
horizontal rail	1x8		



- High chemical resistance
- International certificates available
- Self-assembly with terminals
- No static charge
- Robust construction
- UV-Resistant

## Description

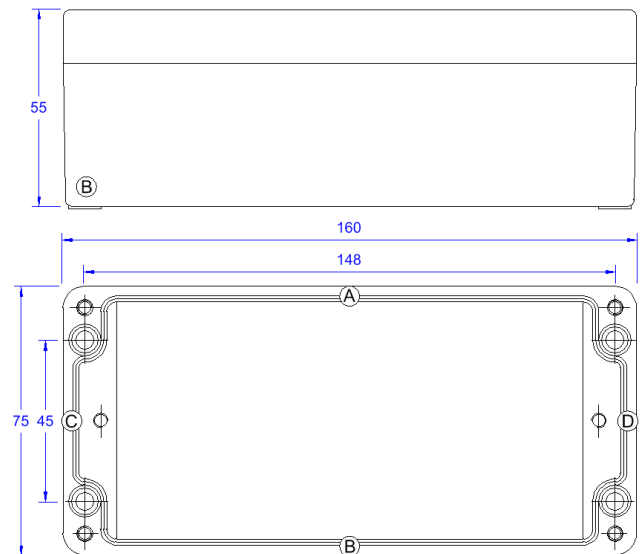
GRP (glass-fibre reinforced polyester) enclosures have proven themselves even in the harshest of environments.

These robust and UV-resistant enclosures can withstand harmful aggressive chemical and mechanical abuse.

The lid with integrated silicon gasket and high corrosion resistive stainless steel captive screws allows easy handling and reliability with a perfect weather seal.

Stainless steel screw inserts are attached to the inside rear surface for ease of securing a terminal rail or mounting plate.

No static charges occur due to the doped conductive carbon black low surface resistance construction.



## Possible Application:

- Ex e / Ex i junction boxes

## Technical Data

Material:	Black GRP
Dimension (mm):	160 x 75 x 55
Fixing centres (mm):	148 x 45 / 4x4,5Ø
Power dissipation:	8,5 Watt @ +40°C 2,8 Watt @ +50°C
for dust Ex:	4,25 Watt @ +40°C 1,4 Watt @ +50°C
Ingress protection:	IP 66
Impact resistance:	7 Joule
Min. ambient temp.:	-60°C
Temperature class:	T6 @ +50°C T5 @ +55°C T4 @ +60°C
Weight:	0,37 kg

## Certificates

ATEX, IECEx, EAC TC-RU, NEMA 4X

## Marking

Empty enclosures:

Ex II 2G Ex eb IIC / Ex II 2D Ex tb IIIC

Terminal Boxes:

Ex II 2G Ex eb ia IIC/IIB/IIA T6/T5/T4

Ex II 2D Ex tb IIIC T85°C/T100°C/T120°C

## Quantity of glands

Gland	M16	M20	M25
Side A / B	4	4	0
Side C / D	1	0	0

## Terminals

mm <sup>2</sup>	Mini 2,5		
horizontal rail	1x12		



- High chemical resistance
- No static charge
- International certificates available
- Robust construction
- Self-assembly with terminals
- UV-Resistant

## Description

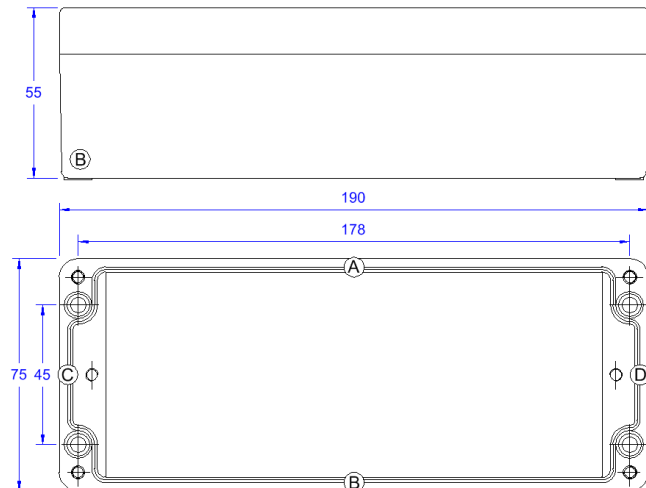
GRP (glass-fibre reinforced polyester) enclosures have proven themselves even in the harshest of environments.

These robust and UV-resistant enclosures can withstand harmful aggressive chemical and mechanical abuse.

The lid with integrated silicon gasket and high corrosion resistive stainless steel captive screws allows easy handling and reliability with a perfect weather seal.

Stainless steel screw inserts are attached to the inside rear surface for ease of securing a terminal rail or mounting plate.

No static charges occur due to the doped conductive carbon black low surface resistance construction.



## Possible Application:

- Ex e / Ex i junction boxes

## Technical Data

Material:	Black GRP
Dimension (mm):	190 x 75 x 55
Fixing centres (mm):	178 x 45 / 4x4,5Ø
Power dissipation:	9,0 Watt @ +40°C 3,0 Watt @ +50°C
for dust Ex:	4,5 Watt @ +40°C 1,5 Watt @ +50°C
Ingress protection:	IP 66
Impact resistance:	7 Joule
Min. ambient temp.:	-60°C
Temperature class:	T6 @ +50°C T5 @ +55°C T4 @ +60°C
Weight:	0,42 kg

## Certificates

ATEX, IECEX, EAC TC-RU, NEMA 4X

## Marking

Empty enclosures:

Ex II 2G Ex eb IIC / Ex II 2D Ex tb IIIC

Terminal Boxes:

Ex II 2G Ex eb ia IIC/IIB/IIA T6/T5/T4

Ex II 2D Ex tb IIIC T85°C/T100°C/T120°C

## Quantity of glands

Gland	M16	M20	M25
Side A / B	6	4	0
Side C / D	1	0	0

## Terminals

mm <sup>2</sup>	Mini 2,5		
horizontal rail	1x12		





- High chemical resistance
- International certificates available
- Self-assembly with terminals
- No static charge
- Robust construction
- UV-Resistant

## Description

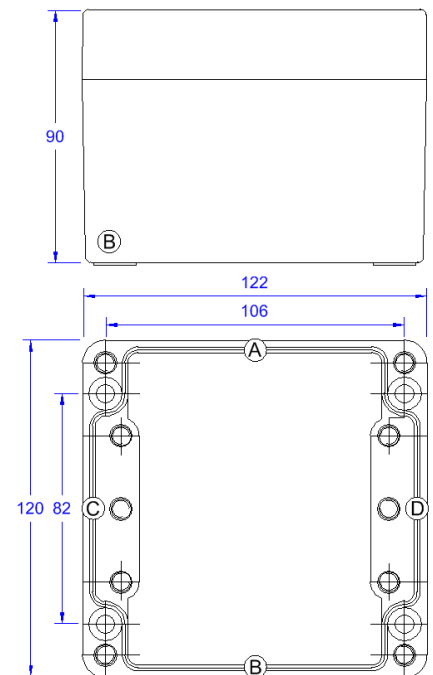
GRP (glass-fibre reinforced polyester) enclosures have proven themselves even in the harshest of environments.

These robust and UV-resistant enclosures can withstand harmful aggressive chemical and mechanical abuse.

The lid with integrated silicon gasket and high corrosion resistive stainless steel captive screws allows easy handling and reliability with a perfect weather seal.

Stainless steel screw inserts are attached to the inside rear surface for ease of securing a terminal rail or mounting plate.

No static charges occur due to the doped conductive carbon black low surface resistance construction.



## Possible Application:

- Ex e / Ex i junction boxes
- Local control stations

## Technical Data

Material:	Black GRP
Dimension (mm):	122 x 120 x 90
Fixing centres (mm):	106 x 82 / 4x6,5Ø
Power dissipation:	11,0 Watt @ +40°C 3,5 Watt @ +50°C
for dust Ex:	5,5 Watt @ +40°C 1,75 Watt @ +50°C
Ingress protection:	IP 66
Impact resistance:	7 Joule
Min. ambient temp.:	-60°C
Temperature class:	T6 @ +50°C T5 @ +55°C T4 @ +60°C
Weight:	0,7 kg

## Certificates

ATEX, IECEx, EAC TC-RU, NEMA 4X

## Marking

Empty enclosures:

⊕ II 2G Ex eb IIC / ⊕ II 2D Ex tb IIIC

Terminal Boxes:

⊕ II 2G Ex eb ia IIC/IIB/IIA T6/T5/T4

⊕ II 2D Ex tb IIIC T85°C/T100°C/T120°C

## Quantity of glands

Gland	M20	M25	M32
Side A / B	2	2	1
Side C / D	1	1	1

## Terminals

mm <sup>2</sup>	2,5	4	6	10
horizontal rail	1x14	1x12	1x9	1x6



- High chemical resistance
- International certificates available
- Self-assembly with terminals
- No static charge
- Robust construction
- UV-Resistant

## Description

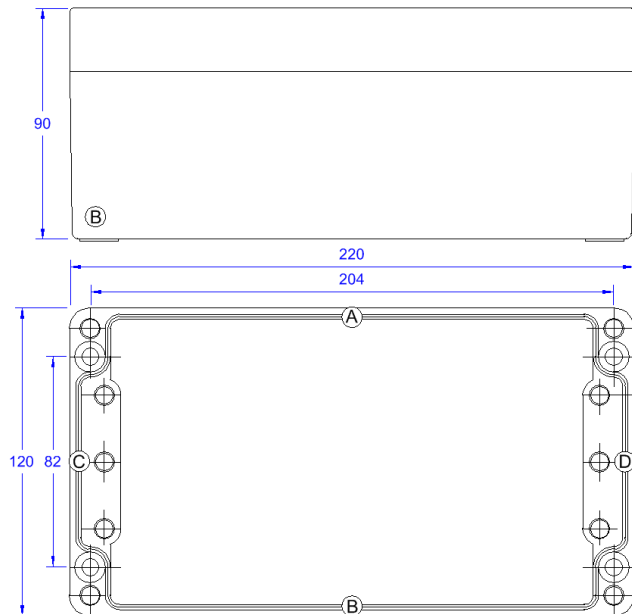
GRP (glass-fibre reinforced polyester) enclosures have proven themselves even in the harshest of environments.

These robust and UV-resistant enclosures can withstand harmful aggressive chemical and mechanical abuse.

The lid with integrated silicon gasket and high corrosion resistive stainless steel captive screws allows easy handling and reliability with a perfect weather seal.

Stainless steel screw inserts are attached to the inside rear surface for ease of securing a terminal rail or mounting plate.

No static charges occur due to the doped conductive carbon black low surface resistance construction.



## Possible Application:

- Ex e / Ex i junction boxes
- Local control stations

## Technical Data

Material:	Black GRP
Dimension (mm):	220 x 120 x 90
Fixing centres (mm):	204 x 82 / 4x6,5Ø
Power dissipation:	14,0 Watt @ +40°C 3,8 Watt @ +50°C
for dust Ex:	7,0 Watt @ +40°C 1,9 Watt @ +50°C
Ingress protection:	IP 66
Impact resistance:	7 Joule
Min. ambient temp.:	-60°C
Temperature class:	T6 @ +50°C T5 @ +55°C T4 @ +60°C
Weight:	1,06 kg

## Certificates

ATEX, IECEX, EAC TC-RU, NEMA 4X

## Marking

Empty enclosures:

⊕ Ex II 2G Ex eb IIC / ⊕ Ex II 2D Ex tb IIIC

Terminal Boxes:

⊕ Ex II 2G Ex eb ia IIC/IIB/IIA T6/T5/T4

⊕ Ex II 2D Ex tb IIIC T85°C/T100°C/T120°C

## Quantity of glands

Gland	M20	M25	M32
Side A / B	5	4	3
Side C / D	1	1	1

## Terminals

mm <sup>2</sup>	2,5	4	6	10
horizontal rail	1x34	1x29	1x21	1x16



- High chemical resistance
- International certificates available
- Self-assembly with terminals
- No static charge
- Robust construction
- UV-Resistant

## Description

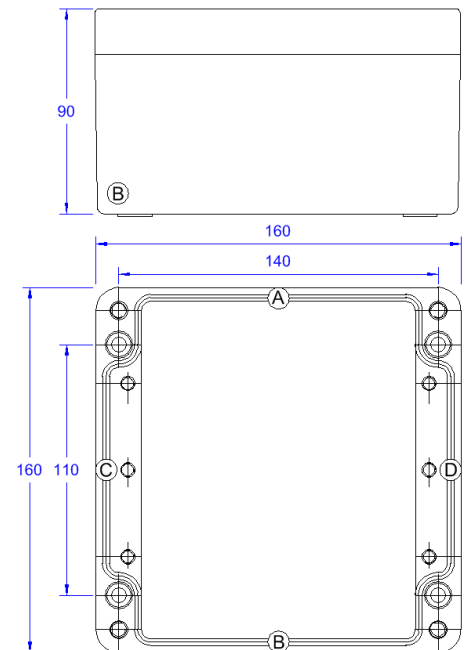
GRP (glass-fibre reinforced polyester) enclosures have proven themselves even in the harshest of environments.

These robust and UV-resistant enclosures can withstand harmful aggressive chemical and mechanical abuse.

The lid with integrated silicon gasket and high corrosion resistive stainless steel captive screws allows easy handling and reliability with a perfect weather seal.

Stainless steel screw inserts are attached to the inside rear surface for ease of securing a terminal rail or mounting plate.

No static charges occur due to the doped conductive carbon black low surface resistance construction.



## Possible Application:

- Ex e / Ex i junction boxes
- Local control stations

## Technical Data

Material:	Black GRP
Dimension (mm):	160 x 160 x 90
Fixing centres (mm):	140 x 110 / 4x6,5Ø
Power dissipation:	15,0 Watt @ +40°C
	4,0 Watt @ +50°C
for dust Ex:	7,5 Watt @ +40°C
	2,0 Watt @ +50°C
Ingress protection:	IP 66
Impact resistance:	7 Joule
Min. ambient temp.:	-60°C
Temperature class:	T6 @ +50°C
	T5 @ +55°C
	T4 @ +60°C
Weight:	1,2 kg

## Certificates

ATEX, IECEx, EAC TC-RU, NEMA 4X

## Marking

Empty enclosures:

⊕ II 2G Ex eb IIC / ⊕ II 2D Ex tb IIIC

Terminal Boxes:

⊕ II 2G Ex eb ia IIC/IIB/IIA T6/T5/T4

⊕ II 2D Ex tb IIIC T85°C/T100°C/T120°C

## Quantity of glands

Gland	M20	M25	M32
Side A / B	3	3	2
Side C / D	2	2	1

## Terminals

mm <sup>2</sup>	2,5	4	6	10
horizontal rail	1x20	1x17	1x12	1x9



- High chemical resistance
- International certificates available
- Self-assembly with terminals
- No static charge
- Robust construction
- UV-Resistant

## Description

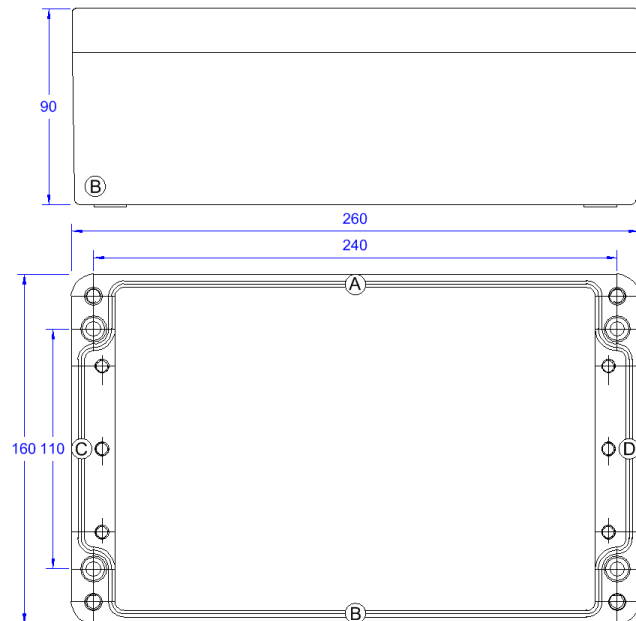
GRP (glass-fibre reinforced polyester) enclosures have proven themselves even in the harshest of environments.

These robust and UV-resistant enclosures can withstand harmful aggressive chemical and mechanical abuse.

The lid with integrated silicon gasket and high corrosion resistive stainless steel captive screws allows easy handling and reliability with a perfect weather seal.

Stainless steel screw inserts are attached to the inside rear surface for ease of securing a terminal rail or mounting plate.

No static charges occur due to the doped conductive carbon black low surface resistance construction.



## Possible Application:

- Ex e / Ex i junction boxes
- Local control stations

## Technical Data

Material:	Black GRP
Dimension (mm):	260 x 160 x 90
Fixing centres (mm):	240 x 110 / 4x6,5Ø
Power dissipation:	20,0 Watt @ +40°C 5,0 Watt @ +50°C
for dust Ex:	10,0 Watt @ +40°C 2,5 Watt @ +50°C
Ingress protection:	IP 66
Impact resistance:	7 Joule
Min. ambient temp.:	-60°C
Temperature class:	T6 @ +50°C T5 @ +55°C T4 @ +60°C
Weight:	1,68 kg

## Certificates

ATEX, IECEX, EAC TC-RU, NEMA 4X

## Marking

Empty enclosures:

⊕ Ex II 2G Ex eb IIC / ⊕ Ex II 2D Ex tb IIIC

Terminal Boxes:

⊕ Ex II 2G Ex eb ia IIC/IIB/IIA T6/T5/T4

⊕ Ex II 2D Ex tb IIIC T85°C/T100°C/T120°C

## Quantity of glands

Gland	M20	M25	M32
Side A / B	6	5	4
Side C / D	2	2	1

## Terminals

mm <sup>2</sup>	2,5	4	6	10
horizontal rail	1x40	1x34	1x25	1x19



- High chemical resistance
- International certificates available
- Self-assembly with terminals
- No static charge
- Robust construction
- UV-Resistant

## Description

GRP (glass-fibre reinforced polyester) enclosures have proven themselves even in the harshest of environments.

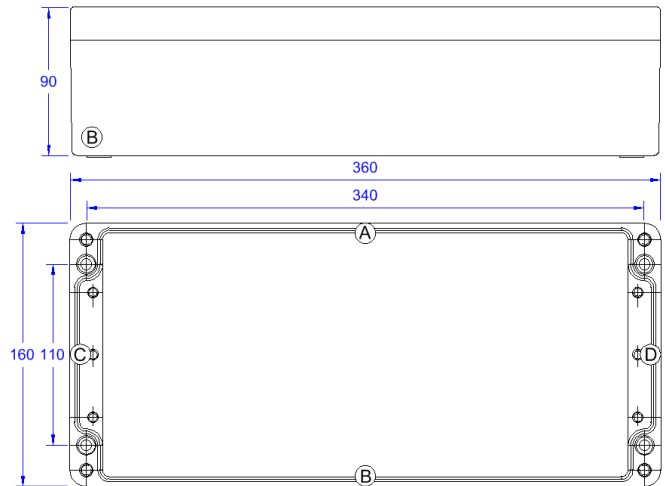
These robust and UV-resistant enclosures can withstand harmful aggressive chemical and mechanical abuse.

The lid with integrated silicon gasket and high corrosion resistive stainless steel captive screws allows easy handling and reliability with a perfect weather seal.

The lid with integrated silicon gasket and high corrosion resistive stainless steel captive screws allows easy handling and reliability with a perfect weather seal.

Stainless steel screw inserts are attached to the inside rear surface for ease of securing a terminal rail or mounting plate.

No static charges occur due to the doped conductive carbon black low surface resistance construction.



## Possible Application:

- Ex e / Ex i junction boxes
- Local control stations

## Technical Data

Material:	Black GRP
Dimension (mm):	360 x 160 x 90
Fixing centres (mm):	340 x 110 / 4x6,5Ø
Power dissipation:	25,0 Watt @ +40°C
	5,4 Watt @ +50°C
for dust Ex:	12,5 Watt @ +40°C
	2,7 Watt @ +50°C
Ingress protection:	IP 66
Impact resistance:	7 Joule
Min. ambient temp.:	-60°C
Temperature class:	T6 @ +50°C
	T5 @ +55°C
	T4 @ +60°C
Weight:	2,23 kg

## Certificates

ATEX, IECEx, EAC TC-RU, NEMA 4X

## Marking

Empty enclosures:

Ex II 2G Ex eb IIC / Ex II 2D Ex tb IIIC

Terminal Boxes:

Ex II 2G Ex eb ia IIC/IIB/IIA T6/T5/T4

Ex II 2D Ex tb IIIC T85°C/T100°C/T120°C

## Quantity of glands

Gland	M20	M25	M32
Side A / B	9	8	6
Side C / D	2	2	1

## Terminals

mm <sup>2</sup>	2,5	4	6	10
horizontal rail	1x60	1x51	1x37	1x29



- High chemical resistance
- International certificates available
- Self-assembly with terminals
- No static charge
- Robust construction
- UV-Resistant

## Description

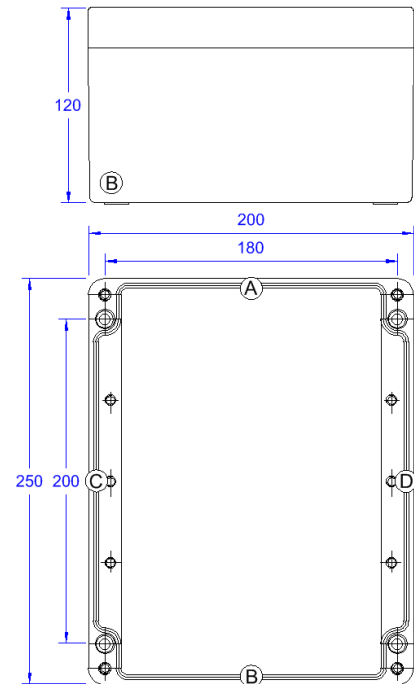
GRP (glass-fibre reinforced polyester) enclosures have proven themselves even in the harshest of environments.

These robust and UV-resistant enclosures can withstand harmful aggressive chemical and mechanical abuse.

The lid with integrated silicon gasket and high corrosion resistive stainless steel captive screws allows easy handling and reliability with a perfect weather seal.

Stainless steel screw inserts are attached to the inside rear surface for ease of securing a terminal rail or mounting plate.

No static charges occur due to the doped conductive carbon black low surface resistance construction.



## Possible Application:

- Ex e / Ex i junction boxes
- Local control stations

## Technical Data

Material:	Black GRP
Dimension (mm):	200 x 250 x 120
Fixing centres (mm):	180 x 200 / 4x6,5Ø
Power dissipation:	27,0 Watt @ +40°C 5,6 Watt @ +50°C
for dust Ex:	13,5 Watt @ +40°C 2,8 Watt @ +50°C
Ingress protection:	IP 66
Impact resistance:	7 Joule
Min. ambient temp.:	-60°C
Temperature class:	T6 @ +50°C T5 @ +55°C T4 @ +60°C
Weight:	2,28 kg

## Certificates

ATEX, IECEX, EAC TC-RU, NEMA 4X

## Marking

Empty enclosures:

⊕ Ex II 2G Ex eb IIC / ⊕ Ex II 2D Ex tb IIIC

Terminal Boxes:

⊕ Ex II 2G Ex eb ia IIC/IIB/IIA T6/T5/T4

⊕ Ex II 2D Ex tb IIIC T85°C/T100°C/T120°C

## Quantity of glands

Gland	M20	M25	M32
Side A / B	8	8	3
Side C / D	10	8	3

## Terminals

mm <sup>2</sup>	2,5	4	6	10
horizontal rail	2x32	2x26	2x18	2x14



- High chemical resistance
- International certificates available
- Self-assembly with terminals
- No static charge
- Robust construction
- UV-Resistant

## Description

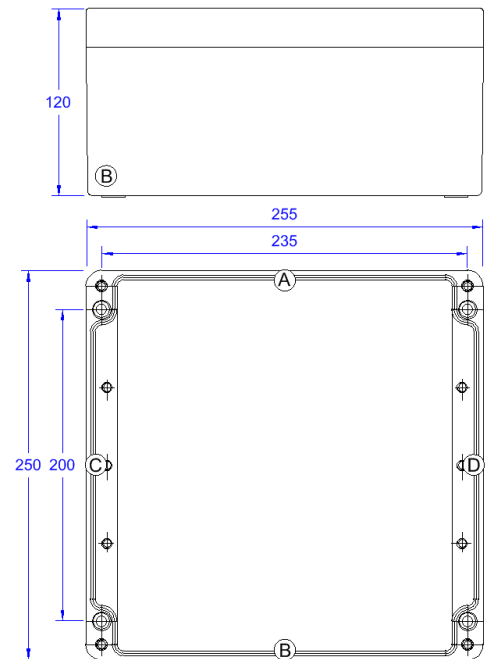
GRP (glass-fibre reinforced polyester) enclosures have proven themselves even in the harshest of environments.

These robust and UV-resistant enclosures can withstand harmful aggressive chemical and mechanical abuse.

The lid with integrated silicon gasket and high corrosion resistive stainless steel captive screws allows easy handling and reliability with a perfect weather seal.

Stainless steel screw inserts are attached to the inside rear surface for ease of securing a terminal rail or mounting plate.

No static charges occur due to the doped conductive carbon black low surface resistance construction.



## Possible Application:

- Ex e / Ex i junction boxes
- Local control stations

## Technical Data

Material:	Black GRP
Dimension (mm):	255 x 250 x 120
Fixing centres (mm):	235 x 200 / 4x6,5Ø
Power dissipation:	35,0 Watt @ +40°C 6,7 Watt @ +50°C
for dust Ex:	17,5 Watt @ +40°C 3,35 Watt @ +50°C
Ingress protection:	IP 66
Impact resistance:	7 Joule
Min. ambient temp.:	-60°C
Temperature class:	T6 @ +50°C T5 @ +55°C T4 @ +60°C
Weight:	2,7 kg

## Certificates

ATEX, IECEx, EAC TC-RU, NEMA 4X

## Marking

Empty enclosures:

⊕ Ex II 2G Ex eb IIC / ⊕ Ex II 2D Ex tb IIIC

Terminal Boxes:

⊕ Ex II 2G Ex eb ia IIC/IIB/IIA T6/T5/T4

⊕ Ex II 2D Ex tb IIIC T85°C/T100°C/T120°C

## Quantity of glands

Gland	M20	M25	M32
Side A / B	12	10	4
Side C / D	10	8	3

## Terminals

mm <sup>2</sup>	2,5	4	6	10
horizontal rail	2x39	2x33	2x24	2x18

# QX-P11H

Ex approved black GRP enclosures



Ex e / Ex i terminal boxes



- High chemical resistance
- International certificates available
- Self-assembly with terminals
- No static charge
- Robust construction
- UV-Resistant

## Description

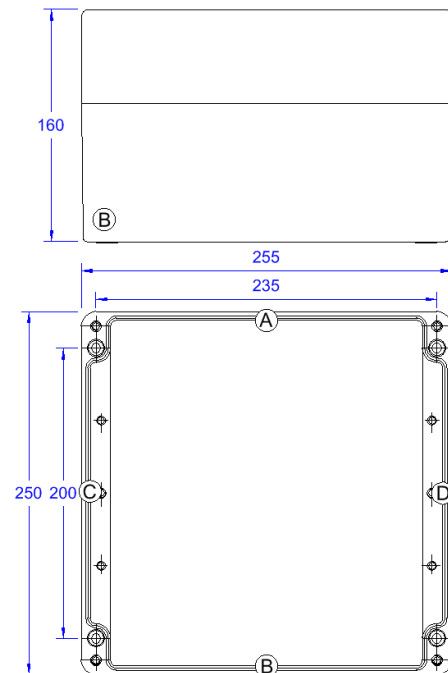
GRP (glass-fibre reinforced polyester) enclosures have proven themselves even in the harshest of environments.

These robust and UV-resistant enclosures can withstand harmful aggressive chemical and mechanical abuse.

The lid with integrated silicon gasket and high corrosion resistive stainless steel captive screws allows easy handling and reliability with a perfect weather seal.

Stainless steel screw inserts are attached to the inside rear surface for ease of securing a terminal rail or mounting plate.

No static charges occur due to the doped conductive carbon black low surface resistance construction.



## Possible Application:

- Ex e / Ex i junction boxes
- Local control stations

## Technical Data

Material:	Black GRP
Dimension (mm):	255 x 250 x 160
Fixing centres (mm):	235 x 200 / 4x6,5Ø
Power dissipation:	38,0 Watt @ +40°C 7,1 Watt @ +50°C
for dust Ex:	19,0 Watt @ +40°C 3,55 Watt @ +50°C
Ingress protection:	IP 66
Impact resistance:	7 Joule
Min. ambient temp.:	-60°C
Temperature class:	T6 @ +50°C T5 @ +55°C T4 @ +60°C
Weight:	3,46 kg

## Certificates

ATEX, IECEX, EAC TC-RU, NEMA 4X

## Marking

Empty enclosures:

Ex II 2G Ex eb IIC / Ex II 2D Ex tb IIIC

Terminal Boxes:

Ex II 2G Ex eb ia IIC/IIB/IIA T6/T5/T4

Ex II 2D Ex tb IIIC T85°C/T100°C/T120°C

## Quantity of glands

Gland	M20	M25	M32
Side A / B	12	10	4
Side C / D	10	8	3

## Terminals

mm²	2,5	4	6	10
horizontal rail	2x39	2x33	2x24	2x18





- High chemical resistance
- International certificates available
- Self-assembly with terminals
- No static charge
- Robust construction
- UV-Resistant

## Description

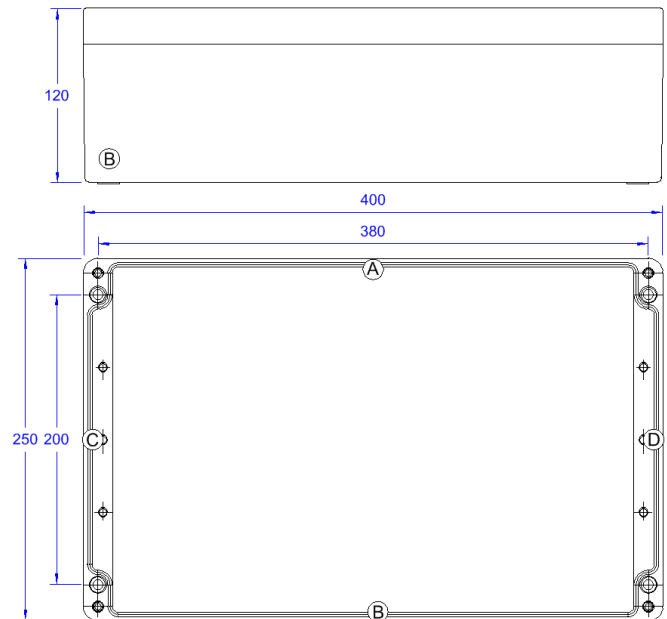
GRP (glass-fibre reinforced polyester) enclosures have proven themselves even in the harshest of environments.

These robust and UV-resistant enclosures can withstand harmful aggressive chemical and mechanical abuse.

The lid with integrated silicon gasket and high corrosion resistive stainless steel captive screws allows easy handling and reliability with a perfect weather seal.

Stainless steel screw inserts are attached to the inside rear surface for ease of securing a terminal rail or mounting plate.

No static charges occur due to the doped conductive carbon black low surface resistance construction.



## Possible Application:

- Ex e / Ex i junction boxes
- Local control stations

## Technical Data

Material:	Black GRP
Dimension (mm):	400 x 250 x 120
Fixing centres (mm):	380 x 200 / 4x6,5Ø
Power dissipation:	46,0 Watt @ +40°C 7,9 Watt @ +50°C
for dust Ex:	23,0 Watt @ +40°C 3,95 Watt @ +50°C
Ingress protection:	IP 66
Impact resistance:	7 Joule
Min. ambient temp.:	-60°C
Temperature class:	T6 @ +50°C T5 @ +55°C T4 @ +60°C
Weight:	3,6 kg

## Certificates

ATEX, IECEx, EAC TC-RU, NEMA 4X

## Marking

Empty enclosures:

Ex II 2G Ex eb IIC / Ex II 2D Ex tb IIIC

Terminal Boxes:

Ex II 2G Ex eb ia IIC/IIB/IIA T6/T5/T4

Ex II 2D Ex tb IIIC T85°C/T100°C/T120°C

## Quantity of glands

Gland	M20	M25	M32
Side A / B	20	18	7
Side C / D	10	8	3

## Terminals

mm <sup>2</sup>	2,5	4	6	10
horizontal rail	2x68	2x57	2x42	2x33



- High chemical resistance
- International certificates available
- Self-assembly with terminals
- No static charge
- Robust construction
- UV-Resistant

## Description

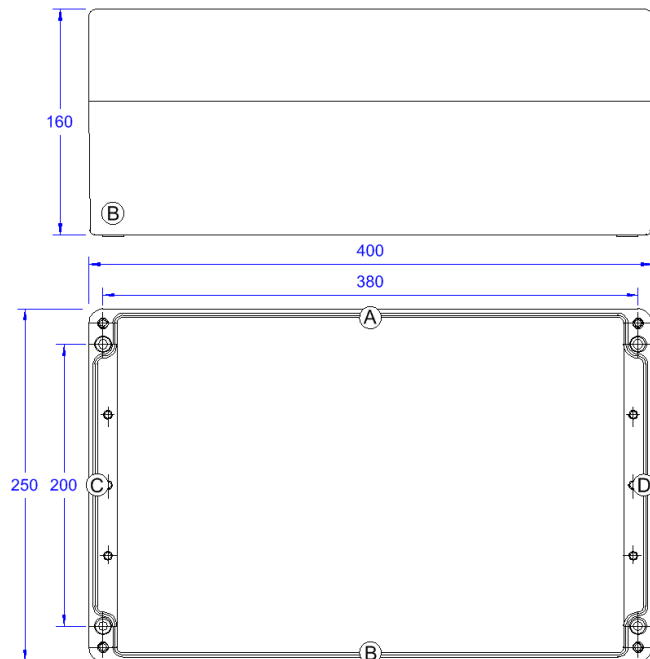
GRP (glass-fibre reinforced polyester) enclosures have proven themselves even in the harshest of environments.

These robust and UV-resistant enclosures can withstand harmful aggressive chemical and mechanical abuse.

The lid with integrated silicon gasket and high corrosion resistive stainless steel captive screws allows easy handling and reliability with a perfect weather seal.

Stainless steel screw inserts are attached to the inside rear surface for ease of securing a terminal rail or mounting plate.

No static charges occur due to the doped conductive carbon black low surface resistance construction.



## Possible Application:

- Ex e / Ex i junction boxes
- Local control stations

## Technical Data

Material:	Black GRP
Dimension (mm):	400 x 250 x 160
Fixing centres (mm):	380 x 200 / 4x6,5Ø
Power dissipation:	51,0 Watt @ +40°C 8,5 Watt @ +50°C
for dust Ex:	25,5 Watt @ +40°C 4,25 Watt @ +50°C
Ingress protection:	IP 66
Impact resistance:	7 Joule
Min. ambient temp.:	-60°C
Temperature class:	T6 @ +50°C T5 @ +55°C T4 @ +60°C
Weight:	4,54 kg

## Certificates

ATEX, IECEX, EAC TC-RU, NEMA 4X

## Marking

Empty enclosures:

⊕ Ex II 2G Ex eb IIC / ⊕ Ex II 2D Ex tb IIIC

Terminal Boxes:

⊕ Ex II 2G Ex eb ia IIC/IIB/IIA T6/T5/T4

⊕ Ex II 2D Ex tb IIIC T85°C/T100°C/T120°C

## Quantity of glands

Gland	M20	M25	M32
Side A / B	20	18	7
Side C / D	10	8	3

## Terminals

mm <sup>2</sup>	2,5	4	6	10
horizontal rail	2x68	2x57	2x42	2x33



- High chemical resistance
- International certificates available
- Self-assembly with terminals
- No static charge
- Robust construction
- UV-Resistant

## Description

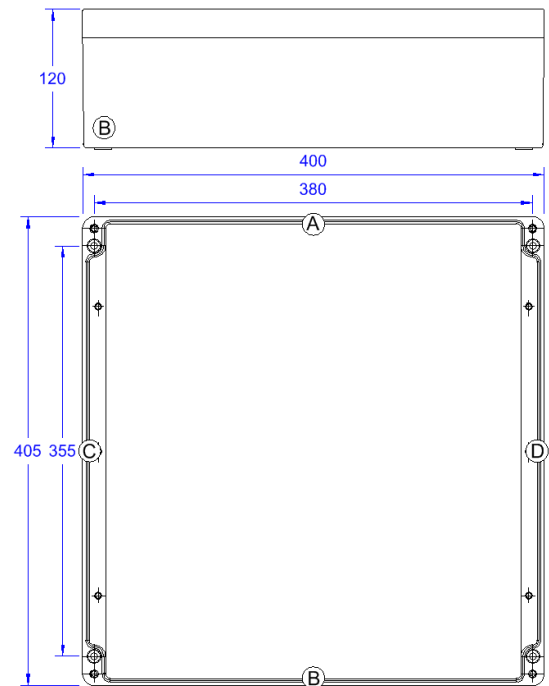
GRP (glass-fibre reinforced polyester) enclosures have proven themselves even in the harshest of environments.

These robust and UV-resistant enclosures can withstand harmful aggressive chemical and mechanical abuse.

The lid with integrated silicon gasket and high corrosion resistive stainless steel captive screws allows easy handling and reliability with a perfect weather seal.

Stainless steel screw inserts are attached to the inside rear surface for ease of securing a terminal rail or mounting plate.

No static charges occur due to the doped conductive carbon black low surface resistance construction.



## Possible Application:

- Ex e / Ex i junction boxes
- Local control stations

## Technical Data

Material:	Black GRP
Dimension (mm):	405 x 400 x 120
Fixing centres (mm):	380 x 355 / 4x6,5Ø
Power dissipation:	65,0 Watt @ +40°C 11,0 Watt @ +50°C
for dust Ex:	32,5 Watt @ +40°C 5,5 Watt @ +50°C
Ingress protection:	IP 66
Impact resistance:	7 Joule
Min. ambient temp.:	-60°C
Temperature class:	T6 @ +50°C T5 @ +55°C T4 @ +60°C
Weight:	5,14 kg

## Certificates

ATEX, IECEx, EAC TC-RU, NEMA 4X

## Marking

Empty enclosures:

⊕ II 2G Ex eb IIC / ⊕ II 2D Ex tb IIIC

Terminal Boxes:

⊕ II 2G Ex eb ia IIC/IIB/IIA T6/T5/T4

⊕ II 2D Ex tb IIIC T85°C/T100°C/T120°C

## Quantity of glands

Gland	M20	M25	M32
Side A / B	20	18	7
Side C / D	18	16	6

## Terminals

mm <sup>2</sup>	2,5	4	6	10
horizontal rail	3x68	3x57	3x42	3x33



- High chemical resistance
- International certificates available
- Self-assembly with terminals
- No static charge
- Robust construction
- UV-Resistant

## Description

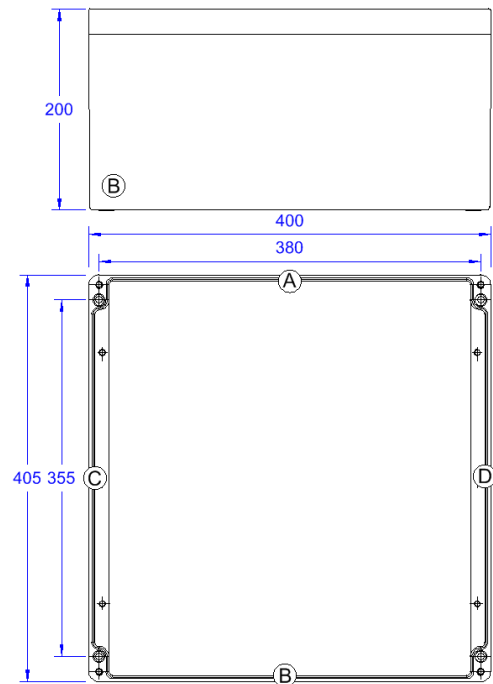
GRP (glass-fibre reinforced polyester) enclosures have proven themselves even in the harshest of environments.

These robust and UV-resistant enclosures can withstand harmful aggressive chemical and mechanical abuse.

The lid with integrated silicon gasket and high corrosion resistive stainless steel captive screws allows easy handling and reliability with a perfect weather seal.

Stainless steel screw inserts are attached to the inside rear surface for ease of securing a terminal rail or mounting plate.

No static charges occur due to the doped conductive carbon black low surface resistance construction.



## Possible Application:

- Ex e / Ex i junction boxes
- Local control stations

## Technical Data

Material:	Black GRP
Dimension (mm):	405 x 400 x 200
Fixing centres (mm):	380 x 355 / 4x6,5Ø
Power dissipation:	70,0 Watt @ +40°C 10,5 Watt @ +50°C
for dust Ex:	35,0 Watt @ +40°C 5,25 Watt @ +50°C
Ingress protection:	IP 66
Impact resistance:	7 Joule
Min. ambient temp.:	-60°C
Temperature class:	T6 @ +50°C T5 @ +55°C T4 @ +60°C
Weight:	6,3 kg

## Certificates

ATEX, IECEX, EAC TC-RU, NEMA 4X

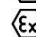
## Marking

Empty enclosures:

 II 2G Ex eb IIC /  II 2D Ex tb IIIC

Terminal Boxes:

 II 2G Ex eb ia IIC/IIB/IIA T6/T5/T4

 II 2D Ex tb IIIC T85°C/T100°C/T120°C

## Quantity of glands

Gland	M20	M25	M32
Side A / B	40	36	21
Side C / D	36	32	18

## Terminals

mm <sup>2</sup>	2,5	4	6	10
horizontal rail	3x68	3x57	3x42	3x33



- High chemical resistance
- International certificates available
- Self-assembly with terminals
- No static charge
- Robust construction
- UV-Resistant

## Description

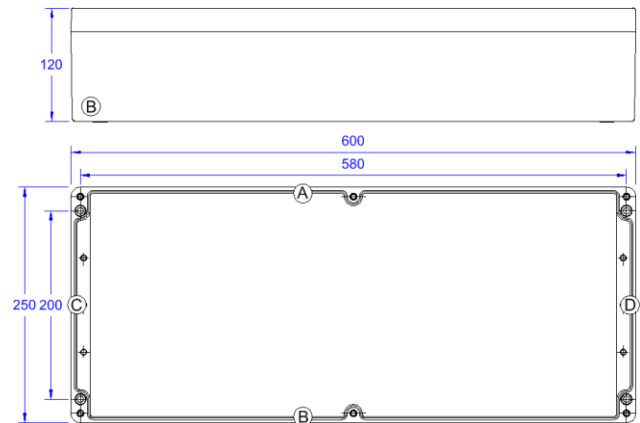
GRP (glass-fibre reinforced polyester) enclosures have proven themselves even in the harshest of environments.

These robust and UV-resistant enclosures can withstand harmful aggressive chemical and mechanical abuse.

The lid with integrated silicon gasket and high corrosion resistive stainless steel captive screws allows easy handling and reliability with a perfect weather seal.

Stainless steel screw inserts are attached to the inside rear surface for ease of securing a terminal rail or mounting plate.

No static charges occur due to the doped conductive carbon black low surface resistance construction.



## Possible Application:

- Ex e / Ex i junction boxes
- Local control stations

## Technical Data

Material:	Black GRP
Dimension (mm):	600 x 250 x 120
Fixing centres (mm):	580 x 200 / 4x6,5Ø
Power dissipation:	63,0 Watt @ +40°C 10,2 Watt @ +50°C
for dust Ex:	31,5 Watt @ +40°C 5,1 Watt @ +50°C
Ingress protection:	IP 66
Impact resistance:	7 Joule
Min. ambient temp.:	-60°C
Temperature class:	T6 @ +50°C T5 @ +55°C T4 @ +60°C
Weight:	5,32 kg

## Certificates

ATEX, IECEx, EAC TC-RU, NEMA 4X

## Marking

Empty enclosures:

⊕ II 2G Ex eb IIC / ⊕ II 2D Ex tb IIIC

Terminal Boxes:

⊕ II 2G Ex eb ia IIC/IIB/IIA T6/T5/T4

⊕ II 2D Ex tb IIIC T85°C/T100°C/T120°C

## Quantity of glands

Gland	M20	M25	M32
Side A / B	30	26	10
Side C / D	10	8	3

## Terminals

mm <sup>2</sup>	2,5	4	6	10
horizontal rail	2x108	2x90	2x62	2x45



- High chemical resistance
- International certificates available
- Self-assembly with terminals
- No static charge
- Robust construction
- UV-Resistant

## Description

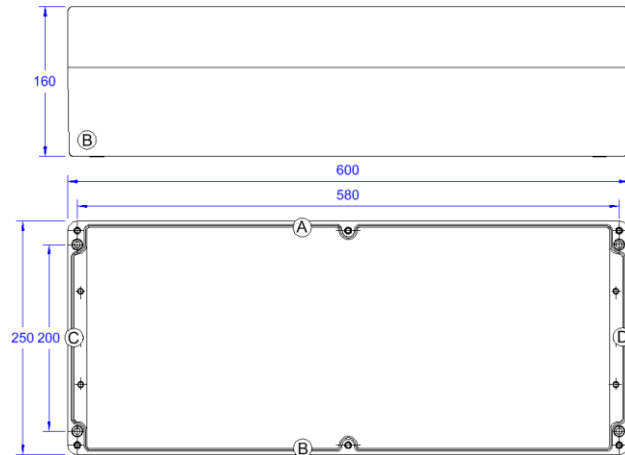
GRP (glass-fibre reinforced polyester) enclosures have proven themselves even in the harshest of environments.

These robust and UV-resistant enclosures can withstand harmful aggressive chemical and mechanical abuse.

The lid with integrated silicon gasket and high corrosion resistive stainless steel captive screws allows easy handling and reliability with a perfect weather seal.

Stainless steel screw inserts are attached to the inside rear surface for ease of securing a terminal rail or mounting plate.

No static charges occur due to the doped conductive carbon black low surface resistance construction.



## Possible Application:

- Ex e / Ex i junction boxes
- Local control stations

## Technical Data

Material:	Black GRP
Dimension (mm):	600 x 250 x 160
Fixing centres (mm):	580 x 200 / 4x6,5Ø
Power dissipation:	68,0 Watt @ +40°C 10,4 Watt @ +50°C
for dust Ex:	34,0 Watt @ +40°C 5,2 Watt @ +50°C
Ingress protection:	IP 66
Impact resistance:	7 Joule
Min. ambient temp.:	-60°C
Temperature class:	T6 @ +50°C T5 @ +55°C T4 @ +60°C
Weight:	6,46 kg

## Certificates

ATEX, IECEX, EAC TC-RU, NEMA 4X

## Marking

Empty enclosures:

⊕ Ex II 2G Ex eb IIC / ⊕ Ex II 2D Ex tb IIIC

Terminal Boxes:

⊕ Ex II 2G Ex eb ia IIC/IIB/IIA T6/T5/T4

⊕ Ex II 2D Ex tb IIIC T85°C/T100°C/T120°C

## Quantity of glands

Gland	M20	M25	M32
Side A / B	30	26	10
Side C / D	10	8	3

## Terminals

mm <sup>2</sup>	2,5	4	6	10
horizontal rail	2x108	2x90	2x62	2x45

# QX-P...Terminal Configuration



Polyester enclosures

Ex e / Ex i terminal boxes

Mixed configuration can be determined by percentage calculation

E.g.: QX-P5: 8 x 2,5 with 16 A = 50%  
 2 x 4 with 35 A = 40%  
 Result = 90% -> OK

		QX-P1 (80 x 75 x 55 mm)															
		Querschnitt / Cross-section in mm <sup>2</sup>															
		1,5	2,5	4	6	10	16	25	35	50	70	95	120	150	185	240	300
Strom [A] Current [A]																	
6																	
10	26																
16	9	17	69														
20	3	10	20														
25		4	11	21													
35			3	8	21												
50					6	17											
63					2	8	29										
80						3	9	32									
100							3	8									
125								3	8								
160									3	7							
200										2	6	20					
225											3	8					
250											2	4	10				
315												2	6				
400															4	12	
500																	2

In diesem Bereich kann unter Beachtung der Hinweise und der festgelegten Einbaumaße im Gehäuse beliebig zusätzlich bestückt werden.  
*In this area you can add terminals in notice of the references and the defined assembly dimensions of the enclosure*

Bestückungen in diesem Bereich erfordern einen gesonderten Erwärmungsnachweis.  
*You need proof of warming for adding terminals in this area.*

		QX-P2 (110 x 75 x 55 mm)															
		Querschnitt / Cross-section in mm <sup>2</sup>															
		1,5	2,5	4	6	10	16	25	35	50	70	95	120	150	185	240	300
Strom [A] Current [A]																	
6																	
10	27																
16	9	18	72														
20	4	10	20														
25		5	11	22													
35			3	8	22												
50					7	18											
63					2	8	30										
80						3	9	33									
100							4	8									
125								3	9								
160									3	8							
200										2	6	21					
225											4	8					
250											2	5	10				
315												3	6				
400															4	12	
500																	2

In diesem Bereich kann unter Beachtung der Hinweise und der festgelegten Einbaumaße im Gehäuse beliebig zusätzlich bestückt werden.  
*In this area you can add terminals in notice of the references and the defined assembly dimensions of the enclosure*

Bestückungen in diesem Bereich erfordern einen gesonderten Erwärmungsnachweis.  
*You need proof of warming for adding terminals in this area.*

# QX-P...Terminal Configuration



Polyester enclosures

Ex e / Ex i terminal boxes

		QX-P3 (160 x 75 x 55 mm)															
		Querschnitt / Cross-section in mm <sup>2</sup>															
		1,5	2,5	4	6	10	16	25	35	50	70	95	120	150	185	240	300
Strom [A]	Current [A]																
	6																
	10	28															
	16	9	18	73													
	20	4	11	21													
	25		5	12	23												
	35			3	9	22											
	50					7	18										
	63					2	8	30									
	80						3	9	34								
	100							4	9								
	125								3	9							
	160									3	8						
	200										2	7	21				
	225											4	8				
	250											2	5	10			
	315												3	6			
	400															4	12
	500																2

In diesem Bereich kann unter Beachtung der Hinweise und der festgelegten Einbaumaße im Gehäuse beliebig zusätzlich bestückt werden.  
*In this area you can add terminals in notice of the references and the defined assembly dimensions of the enclosure*

Bestückungen in diesem Bereich erfordern einen gesonderten Erwärmungsnachweis.  
*You need proof of warming for adding terminals in this area.*

		QX-P4 (190 x 75 x 55 mm)															
		Querschnitt / Cross-section in mm <sup>2</sup>															
		1,5	2,5	4	6	10	16	25	35	50	70	95	120	150	185	240	300
Strom [A]	Current [A]																
	6																
	10	28															
	16	9	18	73													
	20	4	11	21													
	25		5	12	23												
	35			3	9	22											
	50					7	18										
	63					2	8	30									
	80						3	9	34								
	100							4	9								
	125								3	9							
	160									3	8						
	200										2	7	21				
	225											4	8				
	250											2	5	10			
	315												3	6			
	400															4	12
	500																2

In diesem Bereich kann unter Beachtung der Hinweise und der festgelegten Einbaumaße im Gehäuse beliebig zusätzlich bestückt werden.  
*In this area you can add terminals in notice of the references and the defined assembly dimensions of the enclosure*

Bestückungen in diesem Bereich erfordern einen gesonderten Erwärmungsnachweis.  
*You need proof of warming for adding terminals in this area.*



# QX-P...Terminal Configuration

Erfahrung ist Zukunft



Polyester enclosures

Ex e / Ex i terminal boxes

		QX-P5 (122 x 120 x 90 mm)															
		Querschnitt / Cross-section in mm <sup>2</sup>															
		1,5	2,5	4	6	10	16	25	35	50	70	95	120	150	185	240	300
Strom [A] Current [A]																	
6																	
10	43																
16	14	28	110														
20	6	16	32														
25		7	18	35													
35			5	13	34												
50				2	11	28											
63					3	13	46										
80						5	14	52									
100							6	13									
125								5	13								
160									4	12							
200										4	10	32					
225											6	12					
250											3	7	16				
315													4	9			
400														2	6	19	
500																	3

In diesem Bereich kann unter Beachtung der Hinweise und der festgelegten Einbaumaße im Gehäuse beliebig zusätzlich bestückt werden.  
*In this area you can add terminals in notice of the references and the defined assembly dimensions of the enclosure*

Bestückungen in diesem Bereich erfordern einen gesonderten Erwärmungsnachweis.  
*You need proof of warming for adding terminals in this area.*

		QX-P6 (220 x 120 x 90 mm)															
		Querschnitt / Cross-section in mm <sup>2</sup>															
		1,5	2,5	4	6	10	16	25	35	50	70	95	120	150	185	240	300
Strom [A] Current [A]																	
6																	
10	45																
16	15	30	118														
20	6	17	34														
25		8	19	37													
35			5	14	36												
50				2	11	30											
63					4	14	49										
80						5	15	55									
100							6	14									
125								5	14								
160									5	13							
200										4	11	35					
225											6	13					
250											3	8	17				
315													5	10			
400														2	7	20	
500																	4

In diesem Bereich kann unter Beachtung der Hinweise und der festgelegten Einbaumaße im Gehäuse beliebig zusätzlich bestückt werden.  
*In this area you can add terminals in notice of the references and the defined assembly dimensions of the enclosure*

Bestückungen in diesem Bereich erfordern einen gesonderten Erwärmungsnachweis.  
*You need proof of warming for adding terminals in this area.*

# QX-P...Terminal Configuration



Polyester enclosures

Ex e / Ex i terminal boxes

		QX-P7 (160 x 160 x 90 mm)															
		Querschnitt / Cross-section in mm <sup>2</sup>															
		1,5	2,5	4	6	10	16	25	35	50	70	95	120	150	185	240	300
Strom [A]	Current [A]																
6																	
10	48																
16	16	32	125														
20	6	18	36														
25		9	20	39													
35			6	15	38												
50				2	12	31											
63					4	14	52										
80						5	16	58									
100							7	15									
125								6	15								
160									5	13							
200										5	12	37					
225											6	14					
250											3	8	18				
315												5	11				
400													2	7	22		
500																	4

In diesem Bereich kann unter Beachtung der Hinweise und der festgelegten Einbaumaße im Gehäuse beliebig zusätzlich bestückt werden.  
*In this area you can add terminals in notice of the references and the defined assembly dimensions of the enclosure*

Bestückungen in diesem Bereich erfordern einen gesonderten Erwärmungsnachweis.  
*You need proof of warming for adding terminals in this area.*

		QX-P8 (260 x 160 x 90 mm)															
		Querschnitt / Cross-section in mm <sup>2</sup>															
		1,5	2,5	4	6	10	16	25	35	50	70	95	120	150	185	240	300
Strom [A]	Current [A]																
6																	
10	52																
16	18	34	135														
20	7	20	39														
25		9	22	42													
35			6	16	41												
50				2	13	34											
63					4	16	56										
80						6	17	63									
100							7	16									
125								6	17								
160									5	15							
200										5	13	40					
225											2	7	15				
250												4	9	20			
315													2	5	12		
400														2	8	23	
500																	4

In diesem Bereich kann unter Beachtung der Hinweise und der festgelegten Einbaumaße im Gehäuse beliebig zusätzlich bestückt werden.  
*In this area you can add terminals in notice of the references and the defined assembly dimensions of the enclosure*

Bestückungen in diesem Bereich erfordern einen gesonderten Erwärmungsnachweis.  
*You need proof of warming for adding terminals in this area.*

# QX-P...Terminal Configuration

Erfahrung ist Zukunft



Polyester enclosures

Ex e / Ex i terminal boxes

		QX-P9 (360 x 160 x 90 mm)															
		Querschnitt / Cross-section in mm <sup>2</sup>															
		1,5	2,5	4	6	10	16	25	35	50	70	95	120	150	185	240	300
Strom [A] Current [A]																	
6																	
10	53																
16	18	35	138														
20	7	20	40														
25		9	22	43													
35			6	17	42												
50				2	13	35											
63					4	16	58										
80						6	18	64									
100							7	17									
125								6	17								
160									6	15							
200										5	13	40					
225										2	7	16					
250											4	9	20				
315												2	5	12			
400													2	8	24		
500																4	

In diesem Bereich kann unter Beachtung der Hinweise und der festgelegten Einbaumaße im Gehäuse beliebig zusätzlich bestückt werden.  
*In this area you can add terminals in notice of the references and the defined assembly dimensions of the enclosure*

Bestückungen in diesem Bereich erfordern einen gesonderten Erwärmungsnachweis.  
*You need proof of warming for adding terminals in this area.*

		QX-P10 (200 x 250 x 120 mm)															
		Querschnitt / Cross-section in mm <sup>2</sup>															
		1,5	2,5	4	6	10	16	25	35	50	70	95	120	150	185	240	300
Strom [A] Current [A]																	
6																	
10	65																
16	22	43	169														
20	9	25	49														
25		12	27	53													
35			8	21	52												
50				3	17	43											
63					5	20	71										
80						7	22	79									
100							9	21									
125								8	21								
160									7	18							
200										6	16	50					
225										2	9	19					
250											5	12	25				
315												2	7	14			
400													3	10	29		
500																5	

In diesem Bereich kann unter Beachtung der Hinweise und der festgelegten Einbaumaße im Gehäuse beliebig zusätzlich bestückt werden.  
*In this area you can add terminals in notice of the references and the defined assembly dimensions of the enclosure*

Bestückungen in diesem Bereich erfordern einen gesonderten Erwärmungsnachweis.  
*You need proof of warming for adding terminals in this area.*

# QX-P...Terminal Configuration



Polyester enclosures

Ex e / Ex i terminal boxes

QX-P11 (255 x 250 x 120 mm)																	
		Querschnitt / Cross-section in mm <sup>2</sup>															
		1,5	2,5	4	6	10	16	25	35	50	70	95	120	150	185	240	300
Strom [A]	Current [A]																
6																	
10	70																
16	24	46	181														
20	10	27	52														
25		13	29	57													
35			8	22	55												
50				3	18	46											
63					6	21	76										
80						8	23	85									
100							10	22									
125								9	22								
160									7	20							
200										7	17	53					
225											2	10	21				
250												5	12	26			
315													2	7	16		
400															3	11	32
500																	6

In diesem Bereich kann unter Beachtung der Hinweise und der festgelegten Einbaumaße im Gehäuse beliebig zusätzlich bestückt werden.  
*In this area you can add terminals in notice of the references and the defined assembly dimensions of the enclosure*

Bestückungen in diesem Bereich erfordern einen gesonderten Erwärmungsnachweis.  
*You need proof of warming for adding terminals in this area.*

QX-P11H (255 x 250 x 160 mm)																	
		Querschnitt / Cross-section in mm <sup>2</sup>															
		1,5	2,5	4	6	10	16	25	35	50	70	95	120	150	185	240	300
Strom [A]	Current [A]																
6																	
10	81																
16	28	54	210														
20	11	31	61														
25		15	34	66													
35			10	26	65												
50				3	21	53											
63					7	25	88										
80						9	27	99									
100							12	26									
125								10	26								
160									9	23							
200										8	20	62					
225											3	11	24				
250												6	15	31			
315													3	9	18		
400															4	12	37
500																	7

In diesem Bereich kann unter Beachtung der Hinweise und der festgelegten Einbaumaße im Gehäuse beliebig zusätzlich bestückt werden.  
*In this area you can add terminals in notice of the references and the defined assembly dimensions of the enclosure*

Bestückungen in diesem Bereich erfordern einen gesonderten Erwärmungsnachweis.  
*You need proof of warming for adding terminals in this area.*

# QX-P...Terminal Configuration

Erfahrung ist Zukunft



Polyester enclosures

Ex e / Ex i terminal boxes

		QX-P12 (400 x 250 x 120 mm)															
		Querschnitt / Cross-section in mm <sup>2</sup>															
		1,5	2,5	4	6	10	16	25	35	50	70	95	120	150	185	240	300
Strom [A] Current [A]																	
6																	
10	76																
16	26	50	196														
20	10	29	57														
25		14	32	62													
35			9	24	60												
50				3	19	50											
63					6	23	82										
80						9	25	92									
100							11	24									
125								9	24								
160									8	21							
200										7	18	58					
225										3	10	22					
250											5	14	29				
315												3	8	17			
400													3	12	34		
500																6	

In diesem Bereich kann unter Beachtung der Hinweise und der festgelegten Einbaumaße im Gehäuse beliebig zusätzlich bestückt werden.  
*In this area you can add terminals in notice of the references and the defined assembly dimensions of the enclosure*

Bestückungen in diesem Bereich erfordern einen gesonderten Erwärmungsnachweis.  
*You need proof of warming for adding terminals in this area.*

		QX-P12H (400 x 250 x 160 mm)															
		Querschnitt / Cross-section in mm <sup>2</sup>															
		1,5	2,5	4	6	10	16	25	35	50	70	95	120	150	185	240	300
Strom [A] Current [A]																	
6																	
10	87																
16	30	58	225														
20	12	34	65														
25		16	37	71													
35			11	28	69												
50				4	22	57											
63					7	26	94										
80						10	29	105									
100							12	28									
125								11	28								
160									9	25							
200										9	21	66					
225										3	12	26					
250											6	16	33				
315												3	9	19			
400													4	13	39		
500																2	7

In diesem Bereich kann unter Beachtung der Hinweise und der festgelegten Einbaumaße im Gehäuse beliebig zusätzlich bestückt werden.  
*In this area you can add terminals in notice of the references and the defined assembly dimensions of the enclosure*

Bestückungen in diesem Bereich erfordern einen gesonderten Erwärmungsnachweis.  
*You need proof of warming for adding terminals in this area.*

# QX-P...Terminal Configuration

Polyester enclosures

Ex e / Ex i terminal boxes

		QX-P13 (405 x 400 x 120 mm)															
		Querschnitt / Cross-section in mm <sup>2</sup>															
		1,5	2,5	4	6	10	16	25	35	50	70	95	120	150	185	240	300
Strom [A]	Current [A]																
6																	
10	91																
16	31	61	236														
20	13	35	68														
25		17	39	75													
35			11	29	72												
50				4	23	60											
63					8	28	99										
80						10	31	111									
100							13	29									
125								11	29								
160									10	26							
200										9	22	70					
225											3	13	27				
250												7	16	34			
315													3	10	20		
400															4	14	41
500																2	8

In diesem Bereich kann unter Beachtung der Hinweise und der festgelegten Einbaumaße im Gehäuse beliebig zusätzlich bestückt werden.  
In this area you can add terminals in notice of the references and the defined assembly dimensions of the enclosure

Bestückungen in diesem Bereich erfordern einen gesonderten Erwärmungsnachweis.  
You need proof of warming for adding terminals in this area.

		QX-P13H (405 x 400 x 200 mm)															
		Querschnitt / Cross-section in mm <sup>2</sup>															
		1,5	2,5	4	6	10	16	25	35	50	70	95	120	150	185	240	300
Strom [A]	Current [A]																
6																	
10	103																
16	35	68	266														
20	14	40	77														
25		19	43	84													
35			13	33	82												
50				4	26	67											
63					9	31	111										
80						12	35	125									
100							15	33									
125								13	33								
160									11	29							
200										10	25	78					
225											4	14	31				
250												7	18	39			
315													4	11	23		
400															5	16	46
500																2	9

In diesem Bereich kann unter Beachtung der Hinweise und der festgelegten Einbaumaße im Gehäuse beliebig zusätzlich bestückt werden.  
In this area you can add terminals in notice of the references and the defined assembly dimensions of the enclosure

Bestückungen in diesem Bereich erfordern einen gesonderten Erwärmungsnachweis.  
You need proof of warming for adding terminals in this area.

# QX-P...Terminal Configuration

Erfahrung ist Zukunft



Polyester enclosures

Ex e / Ex i terminal boxes

		QX-P15 (600 x 250 x 120 mm)															
		Querschnitt / Cross-section in mm <sup>2</sup>															
		1,5	2,5	4	6	10	16	25	35	50	70	95	120	150	185	240	300
Strom [A] Current [A]																	
6																	
10	78																
16	26	52	201														
20	11	30	58														
25		14	33	64													
35			9	25	62												
50				3	20	51											
63					6	24	84										
80						9	26	95									
100							11	25									
125								10	25								
160									8	22							
200										8	19	59					
225										3	11	23					
250											6	14	29				
315												3	8	17			
400													4	12	35		
500																7	

In diesem Bereich kann unter Beachtung der Hinweise und der festgelegten Einbaumaße im Gehäuse beliebig zusätzlich bestückt werden.  
*In this area you can add terminals in notice of the references and the defined assembly dimensions of the enclosure*

Bestückungen in diesem Bereich erfordern einen gesonderten Erwärmungsnachweis.  
*You need proof of warming for adding terminals in this area.*

		QX-P15H (600 x 250 x 160 mm)															
		Querschnitt / Cross-section in mm <sup>2</sup>															
		1,5	2,5	4	6	10	16	25	35	50	70	95	120	150	185	240	300
Strom [A] Current [A]																	
6																	
10	78																
16	26	52	201														
20	11	30	58														
25		14	33	64													
35			9	25	62												
50				3	20	51											
63					6	24	84										
80						9	26	95									
100							11	25									
125								10	25								
160									8	22							
200										8	19	59					
225										3	11	23					
250											6	14	29				
315												3	8	17			
400													4	12	35		
500																7	

In diesem Bereich kann unter Beachtung der Hinweise und der festgelegten Einbaumaße im Gehäuse beliebig zusätzlich bestückt werden.  
*In this area you can add terminals in notice of the references and the defined assembly dimensions of the enclosure*

Bestückungen in diesem Bereich erfordern einen gesonderten Erwärmungsnachweis.  
*You need proof of warming for adding terminals in this area.*

Please visit our Webpage to see the latest information about Quintex

If you need quick help, please use our online chat.  
 Free of charge and easy to use

